

CIT 250



Process Display with Contacts

Functional range

- ▶ free scalable display
- ▶ 4 characteristic curve functions selectable (linear, root, square function or max. 20 free selectable supporting points)
- ▶ switch mode, hysteresis, parameterizable deceleration of relay outputs
- ▶ display brightness and filter adjustable

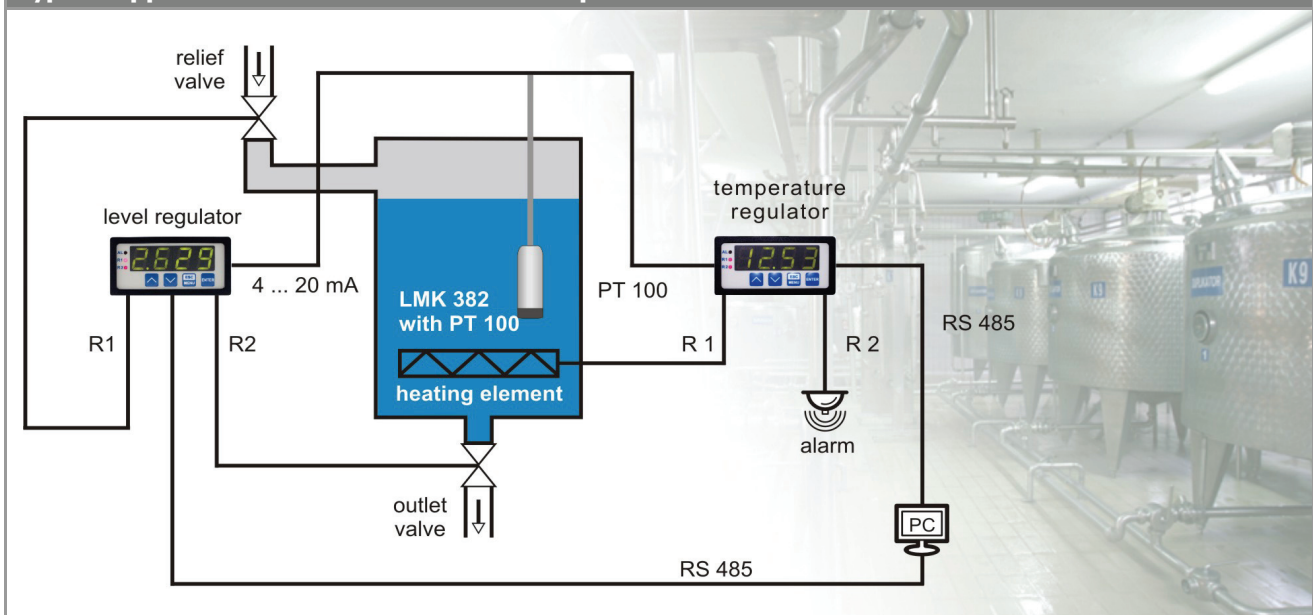
Product characteristics

- ▶ input signal: 0/4 ... 20 mA, 0/1 ... 5 V, 0/2 ... 10 V
- ▶ 4-digit LED display
- ▶ transducer supply 24 V_{DC}
- ▶ communication interface RS-485 Modbus
- ▶ front panel housing 72 x 36 mm

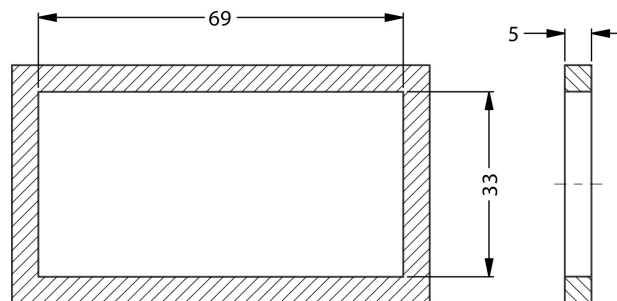
Optional versions

- ▶ input signal PT100 / PT500 / PT1000
- ▶ 1 or 2 contacts

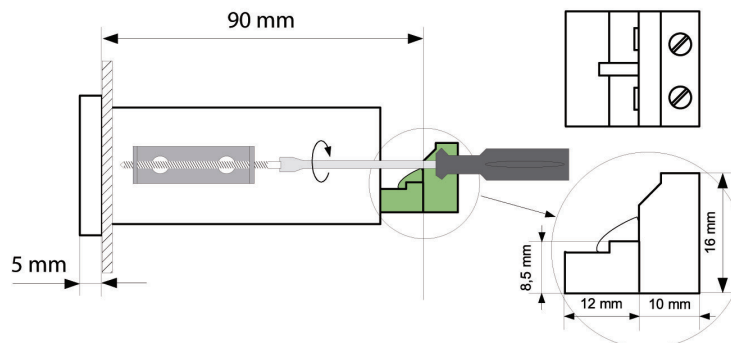
Typical application: combined level and temperature measurement in heated container



Supply		
Supply voltage	standard: 85 ... 260 V _{AC} or V _{DC}	option: 16 ... 35 V _{AC} / 19 ... 50 V _{DC}
Power consumption	max. 4.5 VA or W	
Signal input		
Input signal	standard: 0/4 ... 20 mA, 0/1 ... 5 V, 0/2 ... 10 V option: PT100 / PT500 / PT1000	
Contacts (optional)		
Contact	1 or 2 SPST-relay	
Switching voltage	max. 250 V _{AC}	
Switching current	max. 1 A (cos φ 1)	
Transducer supply		
DC	24 V _{DC} + 5%, - 10%, max. 100 mA	
Communication / Performance		
Communication interface	RS-485 (Modbus RTU)	
Transmission speed	1200 - 115200 bit/sec.	
Permissible temperatures		
Operating temperature	0 ... 50 °C	
Storage temperature	-10 ... 70 °C	
Electrical protection		
Electrical safety	EN 61010-1	
EMC	EN 61326	
Miscellaneous		
Type of protection	IP 65 (front foil)	
Display	4-digit LED display, red / green, 4 x 13 mm	
Range of indication	- 999 ... 9999 + decimal point / temperature range: -100 ... 600 °C	
Accuracy (25 °C)	± 0.1 % FSO	tolerance band (0 ... 50 °C): max. 0.25 % FSO
Housing dimensions	72 x 36 x 95 mm	
Housing	panel	
Housing material	NORYL-GFN2S E1	
CE-conformity	EMC Directive: 2004/108/WE	
Dimensions (in mm)		



mounting hole dimensions



dimensions of brackets and connectors

This data sheet contains product specification, properties are not guaranteed. Subject to change without notice.

Ordering code CIT 250

CIT 250 - - - - -

Input type					
0/4 ... 20 mA, 0/1 ... 5 V, 0/2 ... 10 V	1				
PT100, PT500, PT1000	2				
Output					
without	0				
1 SPST relay	1				
2 SPST relay	2				
Supply					
85 ... 260 V _{AC} / V _{DC}		1			
16 ... 35 V _{AC} / 19 ... 50 V _{DC}		2			
Display foil					
neutral			1 0 0		
customer			9 9 9		consult
Special version					
standard				0 0 0	
customer				9 9 9	consult

This price list contains product specification; properties are not guaranteed. Detailed information about options are defined in the datasheet. Subject to change without notice.

